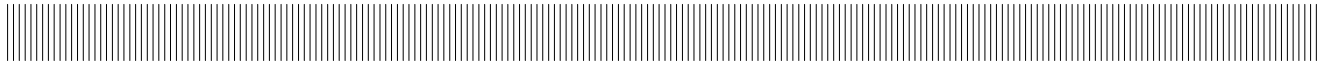


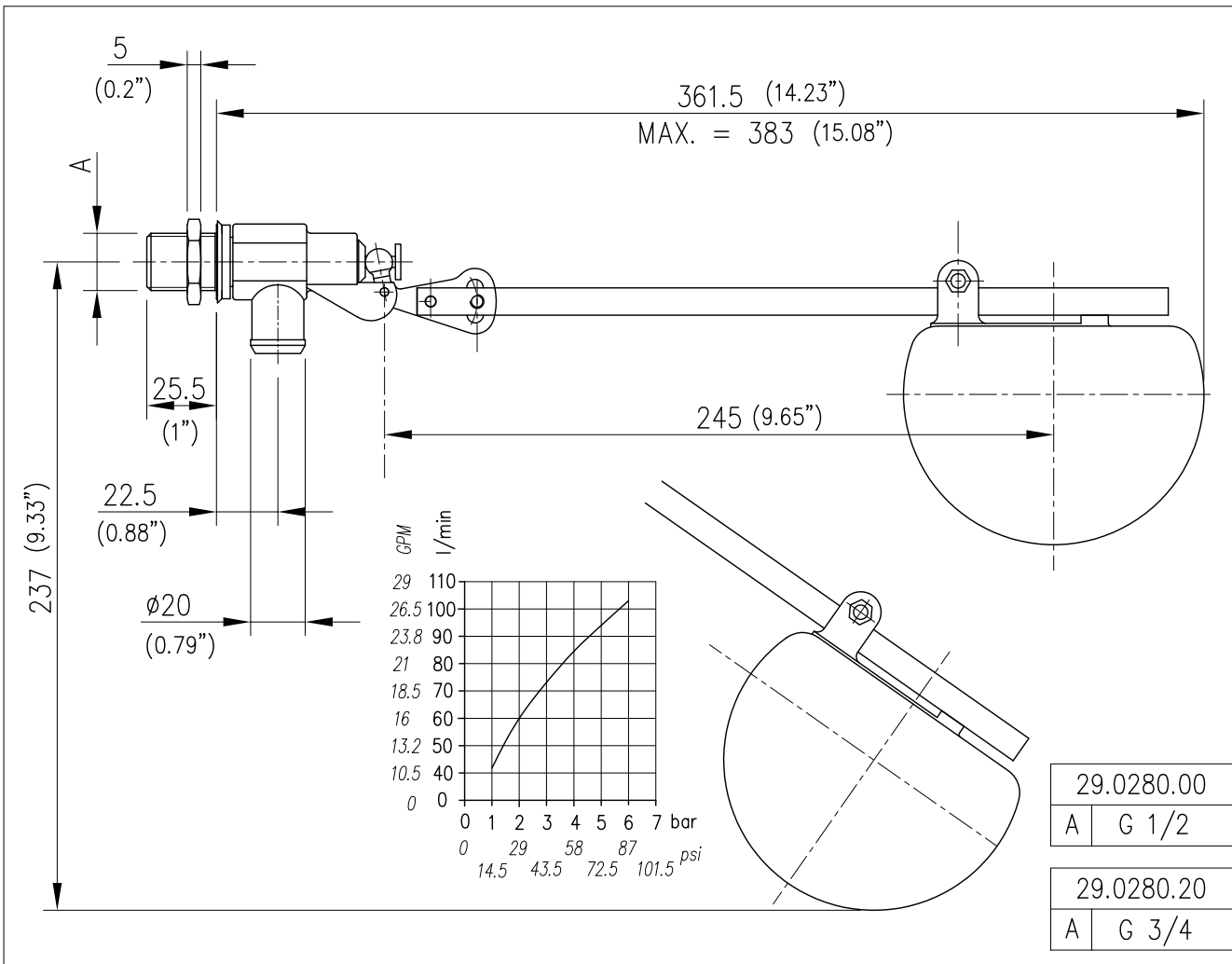
	EQUIPAGGIAMENTI	RUBINETTO IN OTTONE CON GALLEGGIANTE		
	TECNICI	BRASS FLOAT VALVE		
	LA VAGGIO	RG60 (29.0280.00-29.0280.20)		29/09/05



CARATTERISTICHE TECNICHE
TECHNICAL SPECIFICATIONS

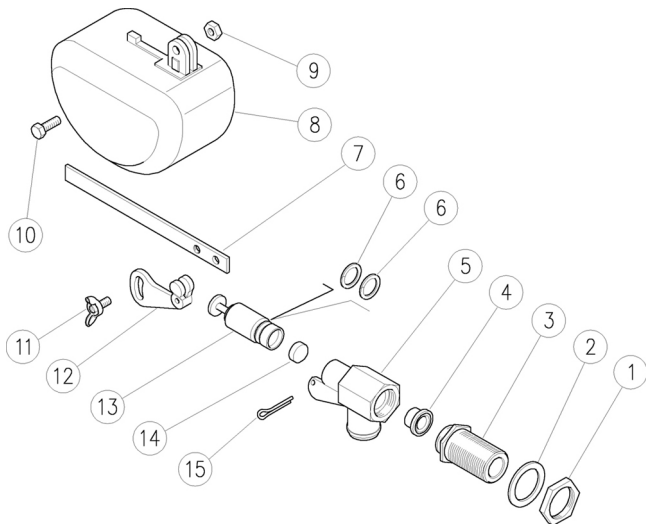
- FUNZIONAMENTO WORKING	APERTURA E CHIUSURA CON COMANDO DIRETTO ON-OFF WITH DIRECT ACTION
- PRESSIONE MASSIMA MAX PRESSURE	6 bar - 0.6 MPa (85 psi)
- PORTATA A 1 bar - 0.1 MPa (14.5 psi) FLOW RATE AT 1 bar - 0.1 MPa (14.5 psi)	42 l/min (11.1 USG p.m.)
- PORTATA A 2 bar - 0.2 MPa (29 psi) FLOW RATE AT 2 bar - 0.2 MPa (29 psi)	60 l/min (16 USG p.m.)
- TEMPERATURA MASSIMA MAX WORKING TEMPERATURE	60° C (140° F)

MISURE D'INGOMBRO
OVERALL DIMENSIONS



29.0280.00 RG60 regolatore galleggiante ott. G1/2M

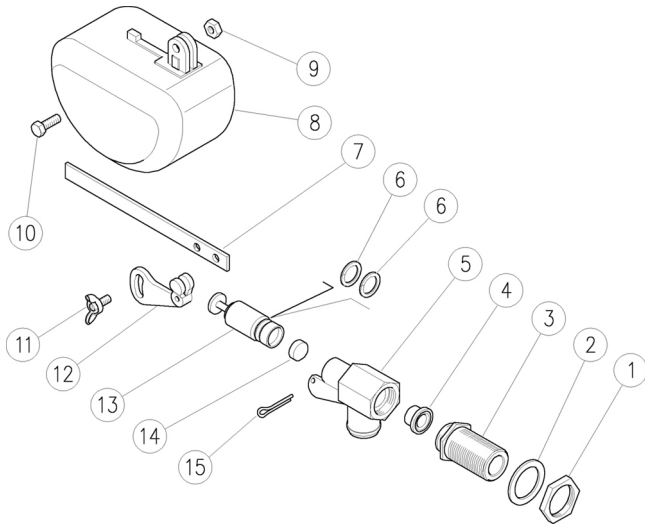
29.0280.20 RG60 regolatore gall.ott. G3/4M



Pos.	Codice	Descrizione	Q.tà	K1	K2	K3	K4	
1	29.0175.31	Dado G1/2F ott. (1)	1					10
1	29.0188.31	Dado G3/4F ott. (2)	1					10
2	29.0177.81	Guarn. Front. 19x30x2 mm nero (1)	1					10
2	29.0189.81	Guarn. Front. 26x36x2 mm NBR (2)	1					10
3	29.0283.31	Racc. M18x1M-G1/2M ott. (1)	1					3
3	29.0284.31	Racc. M18x1M-G3/4M ott. (2)	1					3
4	29.0282.84	Sede RG60 POM	1					5
5	29.0281.35	Corpo RG60 ott.	1					3
6	10.4021.00	An. anties. a. 11,5x15,9x1,2 mm	2					10
7	29.0287.34	Asta RG60 ott.	1					5
8	29.0170.84	Galleggiante PE-HD	1					10
9	11.4520.00	Dado es. M 5 ott.	1					10
10	16.1870.00	Vite DIN933 M5x12 mm ott.	1					10
11	12.0150.05	Dado ad alette M5x10 ott.	1					10
12	29.0286.35	Piastrino di rinvio ott.	1					3
13	29.0288.31	Perno otturatore ott.	1					3
14	29.0285.81	Guarn. Front. 12x4 mm NBR85	1					5
15	11.0549.01	Coppiglia 3x20 mm	1					10

(1) 29.0280.00 (2) 29.0280.20

29.0280.00 RG60 Float valve,brass,1/2M Bsp



29.0280.20 RG60 Float valve, brass 3/4M Bsp

Pos.	P/N	Description	Q.ty	K1	K2	K3	K4	
1	29.0175.31	Nut, 1/2F Bsp brass (1)	1					10
1	29.0188.31	Nut, 3/4F Bsp brass (2)	1					10
2	29.0177.81	Front seal, 19x30x2 mm black (1)	1					10
2	29.0189.81	Front seal, 26x36x2 mm NBR (2)	1					10
3	29.0283.31	Coupling, M18x1M-1/2M Bsp brass (1)	1					3
3	29.0284.31	Coupling, M18x1M-3/4M Bsp brass (2)	1					3
4	29.0282.84	Seat -RG60, POM	1					5
5	29.0281.35	Housing -RG60 brass	1					3
6	10.4021.00	Back-up ring, opn. 11,5x15,9x1,2 mm	2					10
7	29.0287.34	Rod -RG60, brass	1					5
8	29.0170.84	Float valve, PE-HD	1					10
9	11.4520.00	Hex. nut, M 5, brass	1					10
10	16.1870.00	Screw, DIN933 M5x12 mm brass	1					10
11	12.0150.05	Wing nut, M5x10 brass	1					10
12	29.0286.35	Transmission plate, brass	1					3
13	29.0288.31	Shutter pin, brass	1					3
14	29.0285.81	Front seal, 12x4 mm NBR85	1					5
15	11.0549.01	Cotter pin 3x20 mm	1					10

(1) 29.0280.00 (2) 29.0280.20



P.A. S.p.A.
Via Milano, 13
42048 Rubiera, Reggio Emilia - Italy
Tel +39.0522.623611
Fax +39.0522.629600
info@pa-etl.it

www.pa-etl.it



COMPANY WITH QUALITY MANAGEMENT
SYSTEM CERTIFIED BY DNV
= ISO 9001 =